



FY2022 Virtual Shareholder Meeting

September 16, 2022 McCall,

Idaho

Agenda



WELCOME



CONFIRMATION OF PROXY
RETAINING YOUR
CURRENT LEADERSHIP



LUCKY BEN MINE
PROJECT UPDATE



TECHNOLOGY
UPDATE



FINANCIAL
REPORT AND
OVERVIEW



MOVING
FORWARD



OPEN
DISCUSSION,
COMMENTS



Gregg Lindner, President



Sean-Rae Zalewski, CEO

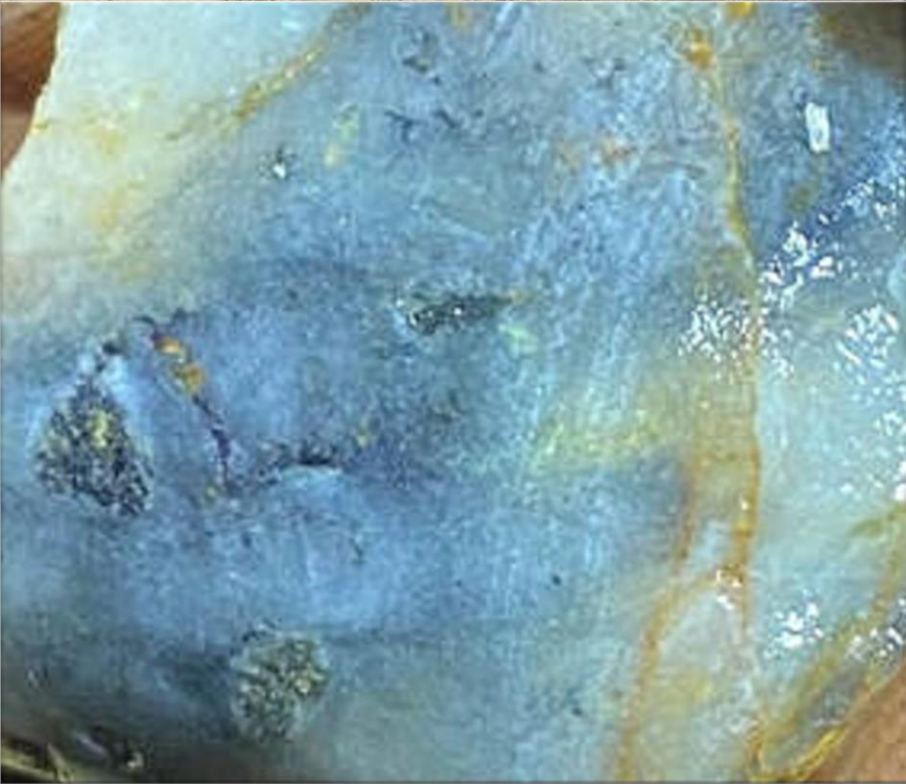
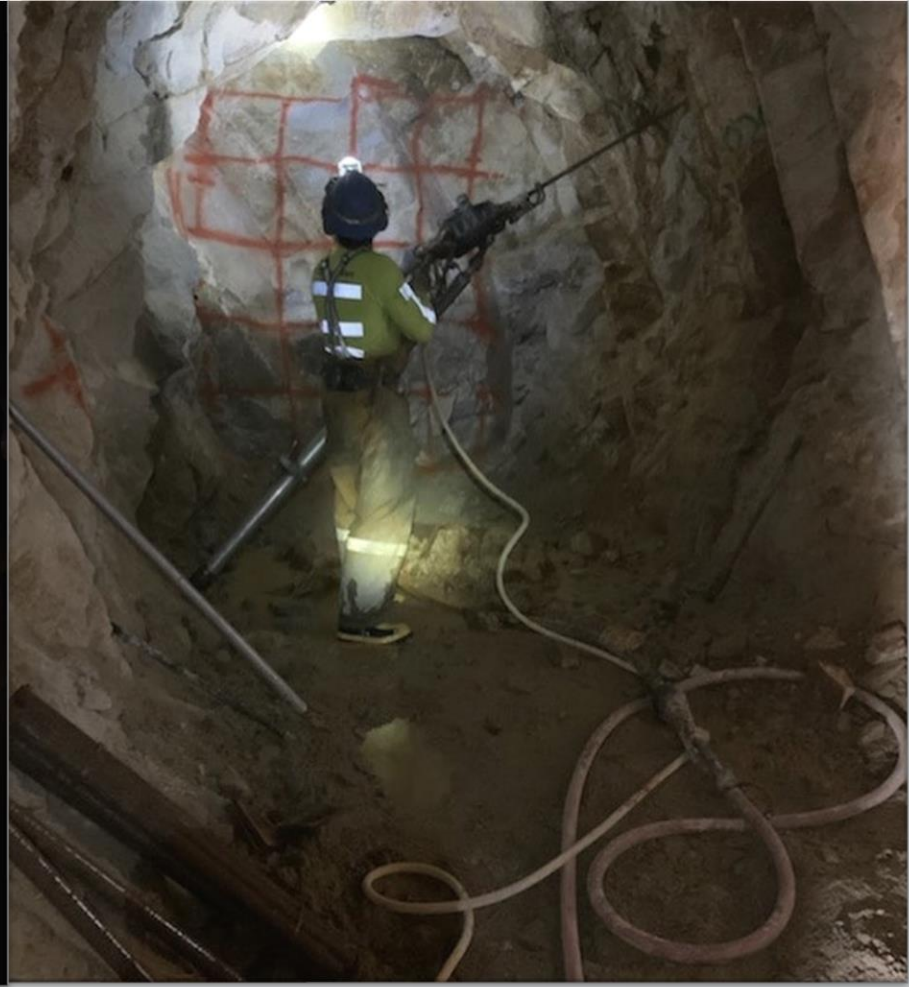


Dan Hally, COO & Treasurer



Sue Patti, Secretary

Welcome from the Board of Directors



Lucky Ben Project Update



Completed diamond drill program under first stope.



Started construction of tunnel #2.




Widening tunnel #1 to second stope.



Completed extensive sampling.

LUCKY BEN Ore Material Summary:
Average SILVER Content = 5.0oz/ton
Average GOLD Content = 7.2oz/ton

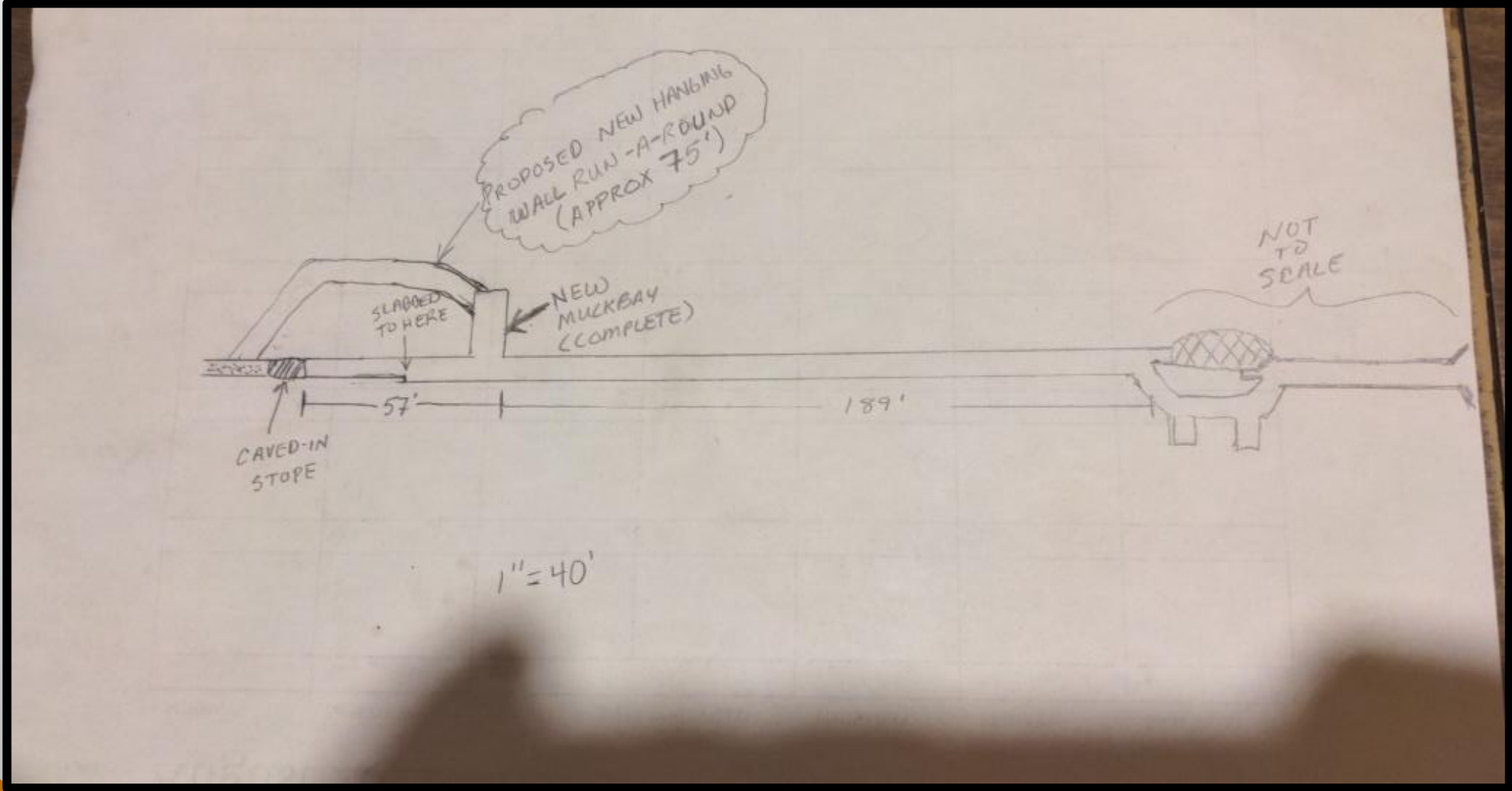
SLOPE-1 Ore Material Summary:
Average SILVER Content = 10.6oz/ton
Average GOLD Content = 5.4oz/ton



Started construction of new building . Goal is to complete and secure building this season

Road permit application has moved into environmental assessment phase with the U.S. Forest Service

Upgraded signing and security.



Revolutionizing the Future of Mining

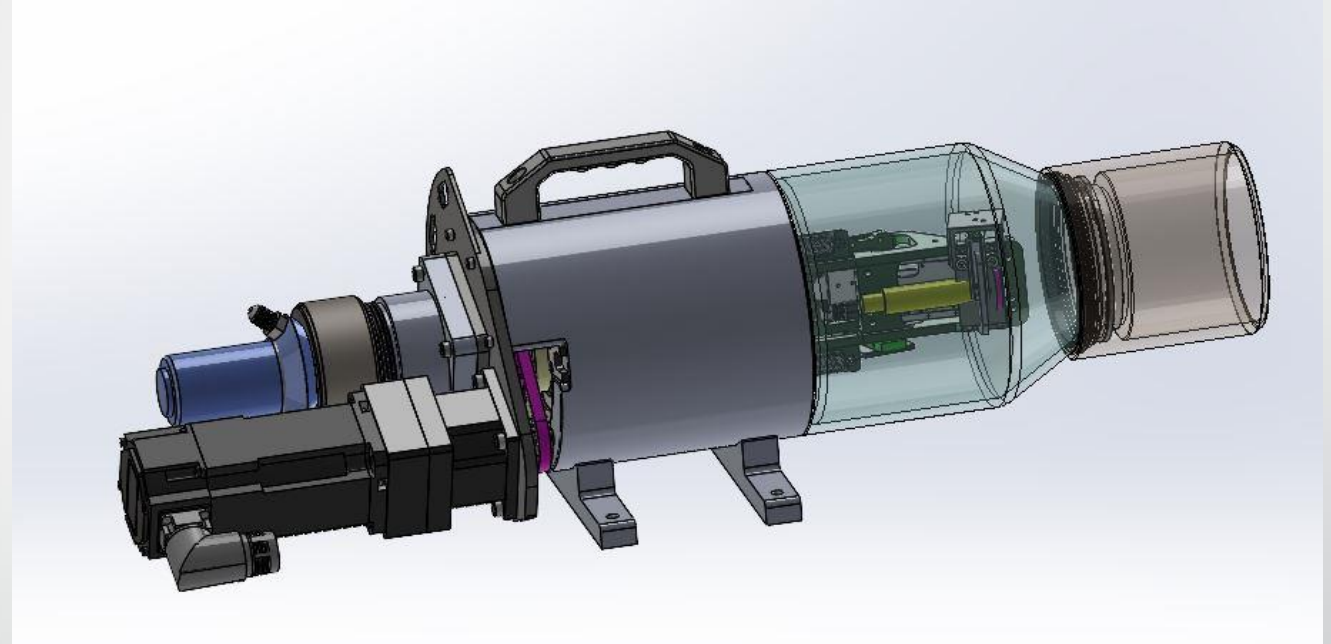


***SIDNEY RESOURCES
CORPORATION*** TM

Mining Technology Division

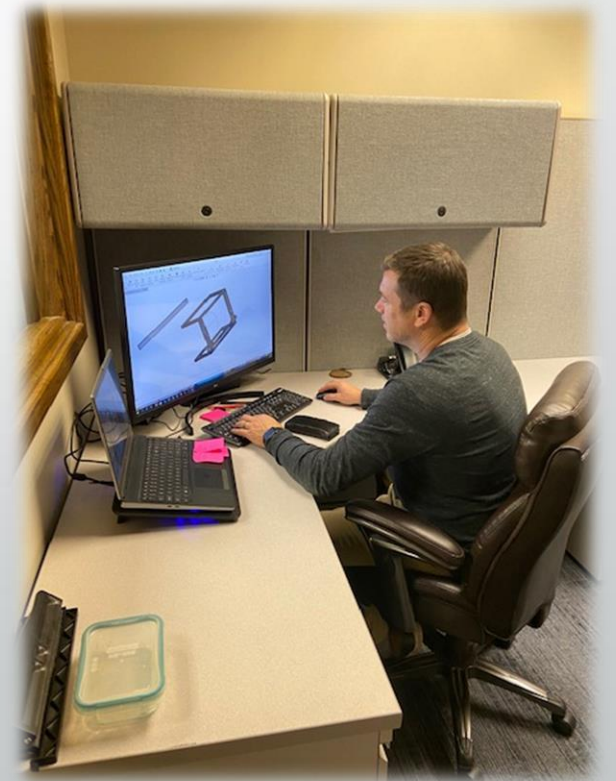
Technology
Update

- Provisional Patent Filed with U.S. Patent Office April 15th, 2022
- Utility Patent Application Ready for Attorney Review Sep 1st, 2022
- Raytheon ELCAN is manufacturing optics





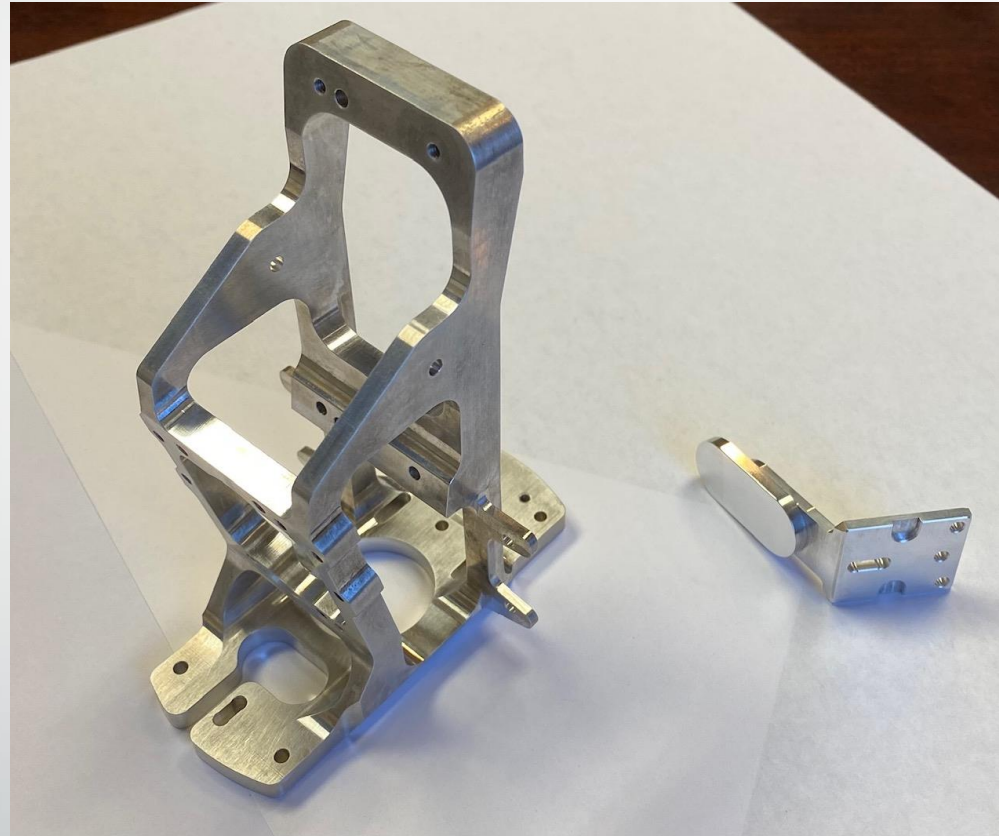
New Office in Coeur d'Alene, Idaho



Revolutionizing the Future of Mining



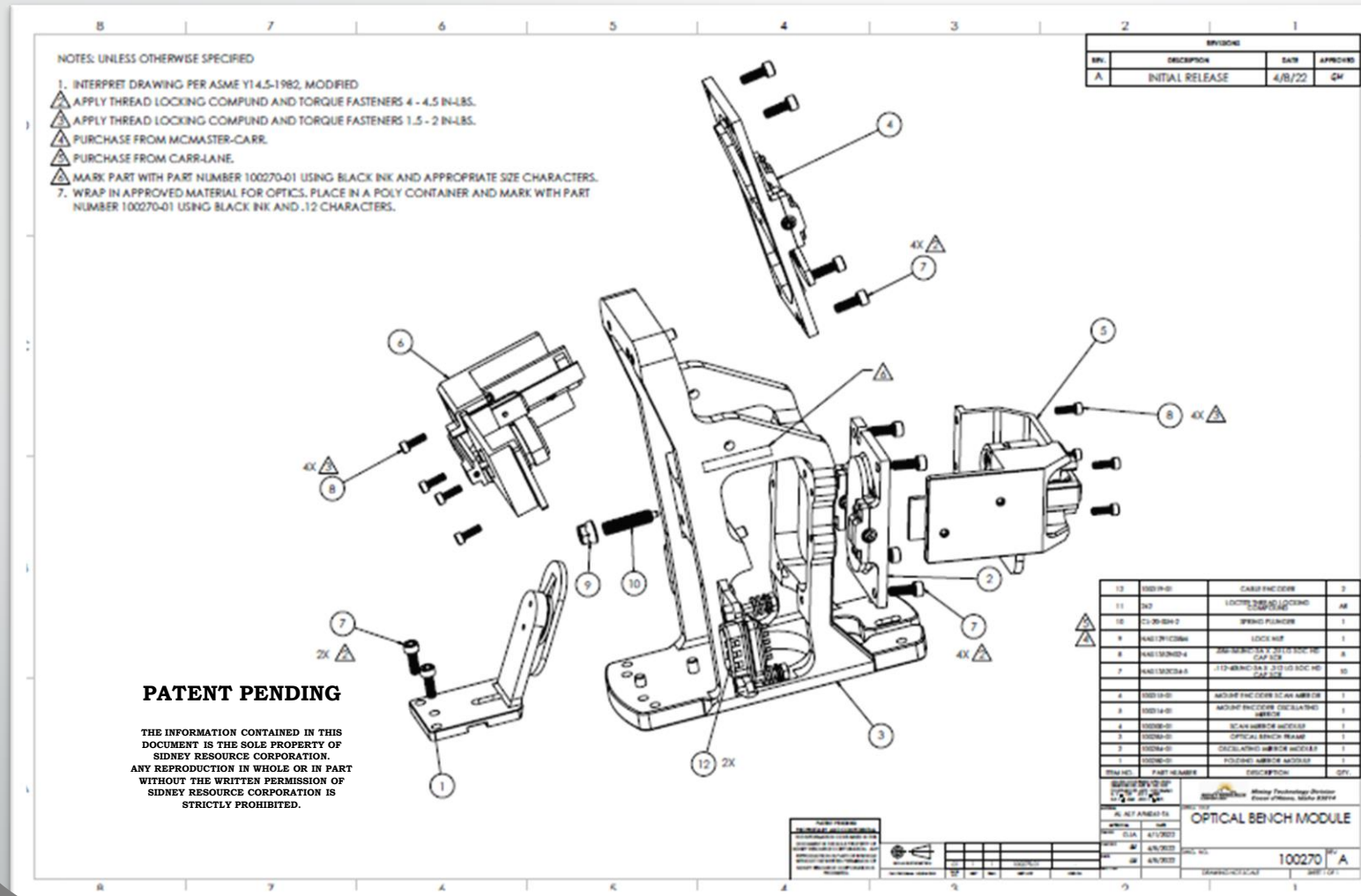
The First Optical Bench and Folding Mirror



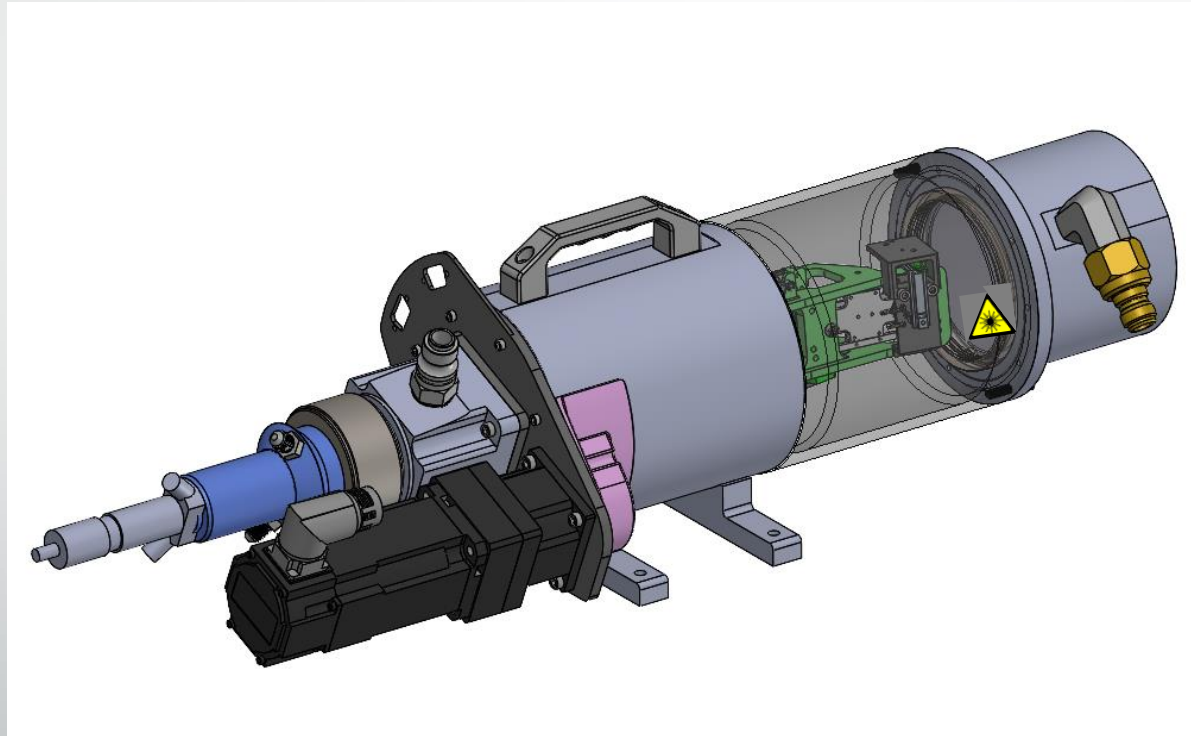
PATENT PENDING

THE INFORMATION CONTAINED IN THIS DOCUMENT IS THE SOLE PROPERTY OF SIDNEY RESOURCE CORPORATION. ANY REPRODUCTION IN WHOLE OR IN PART WITHOUT THE WRITTEN PERMISSION OF SIDNEY RESOURCE CORPORATION IS STRICTLY PROHIBITED.

Optical Bench Module; The Heart of the System



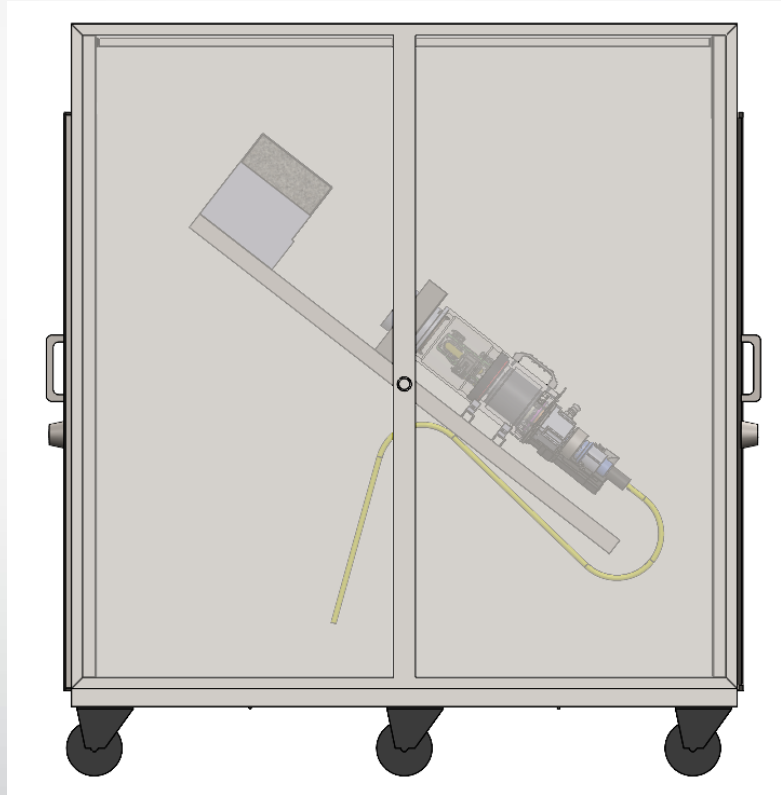
***SolidWorks Computer Model
of the
Lab Test Model-1***



***Lab Test Model-1 Components
Ready for Integration***



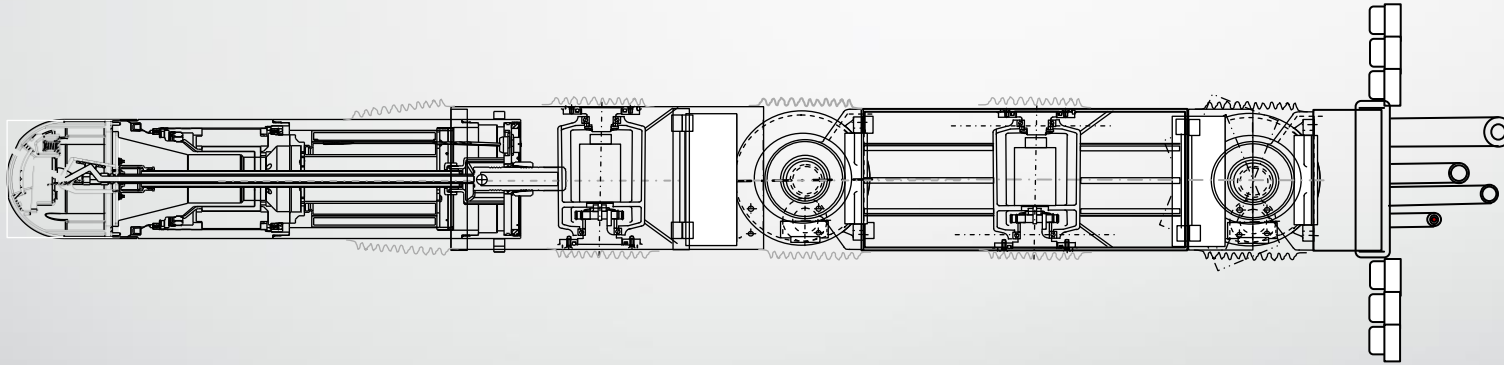
- ***Comprehensive Plan for Lab Test Model-1 Nearing Completion***
- ***Testing at Colorado School of Mines***
- ***Laser Safety Cabinet design in work for the Lab Test Model-1 at Colorado School of Mines***



Revolutionizing the Future of Mining

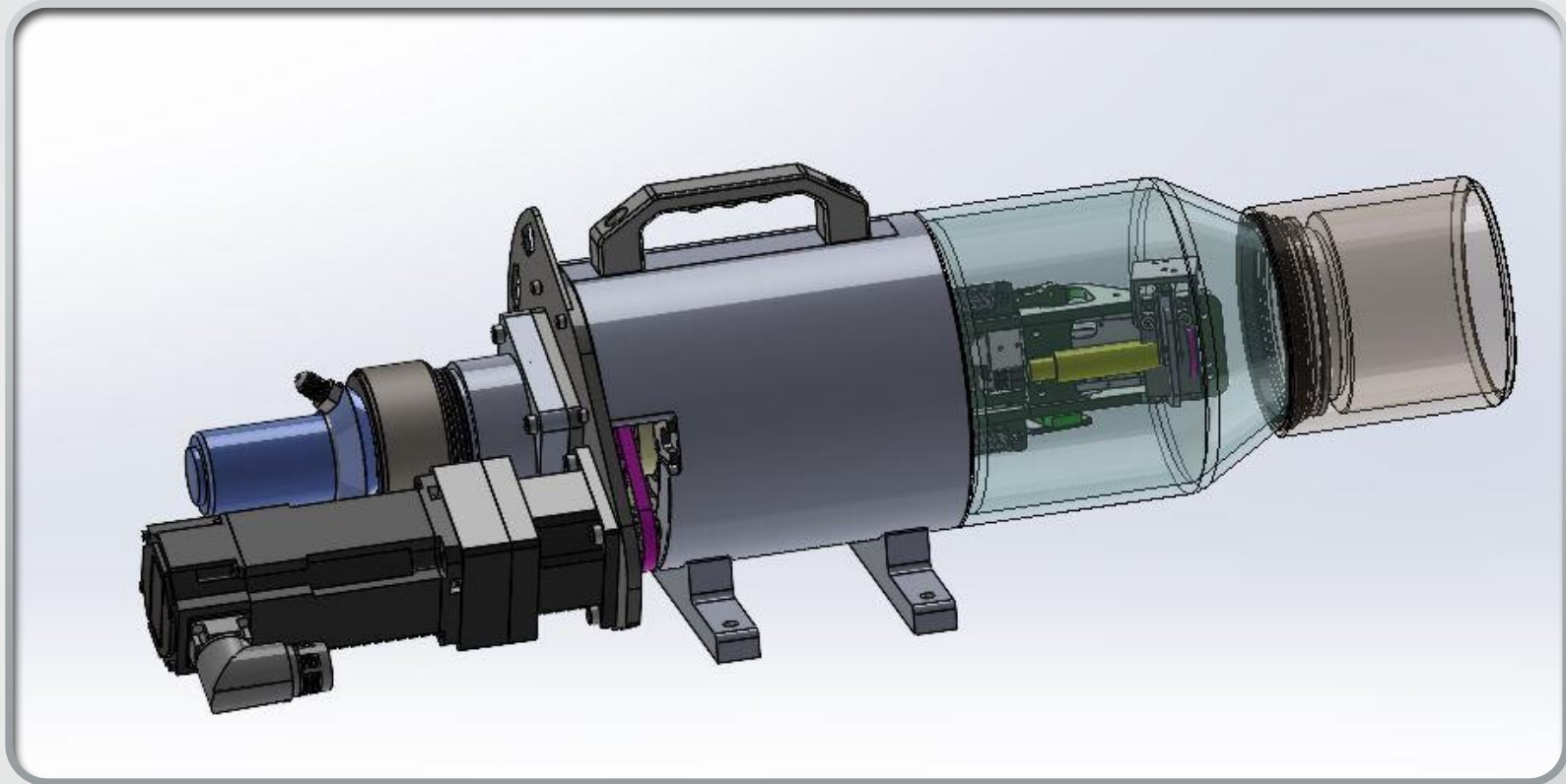


Scanhead and Robotic Arm ***Continuing Under Development***



PATENT PENDING

THE INFORMATION CONTAINED IN THIS DOCUMENT IS THE SOLE PROPERTY OF SIDNEY RESOURCE CORPORATION. ANY REPRODUCTION IN WHOLE OR IN PART WITHOUT THE WRITTEN PERMISSION OF SIDNEY RESOURCE CORPORATION IS STRICTLY PROHIBITED.



Completed Test Unit

Financial Report & Overview

Beginning FY2022 Cash Balance	\$401,061,.38
-------------------------------	---------------

Deposits through 6/30/2022	\$625,061.00
----------------------------	--------------

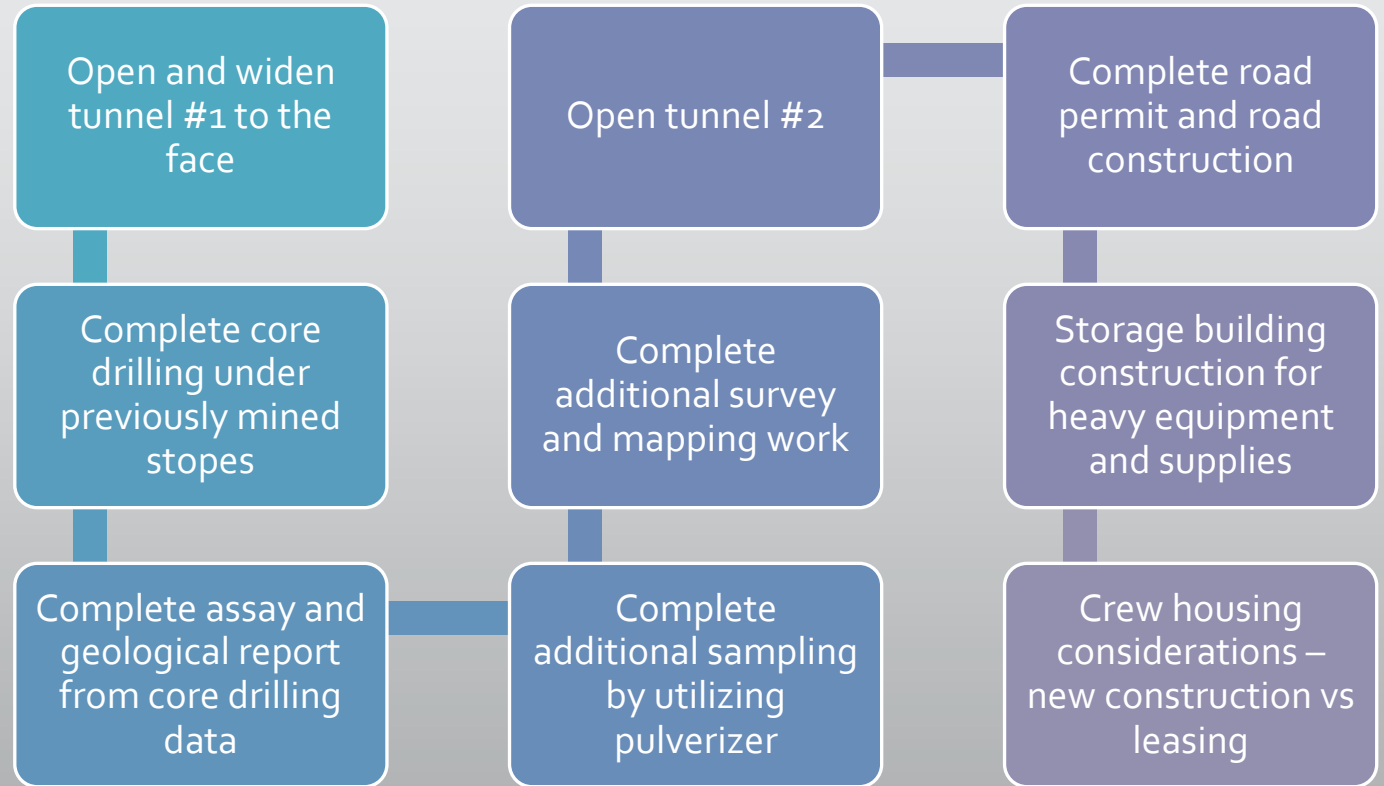
Expenses through 6/30/2022	(\$310,889.20)
----------------------------	----------------

Cash Balance as of 6/30/2021	\$314,171.80
------------------------------	--------------

Current Stock and Shareholder Information

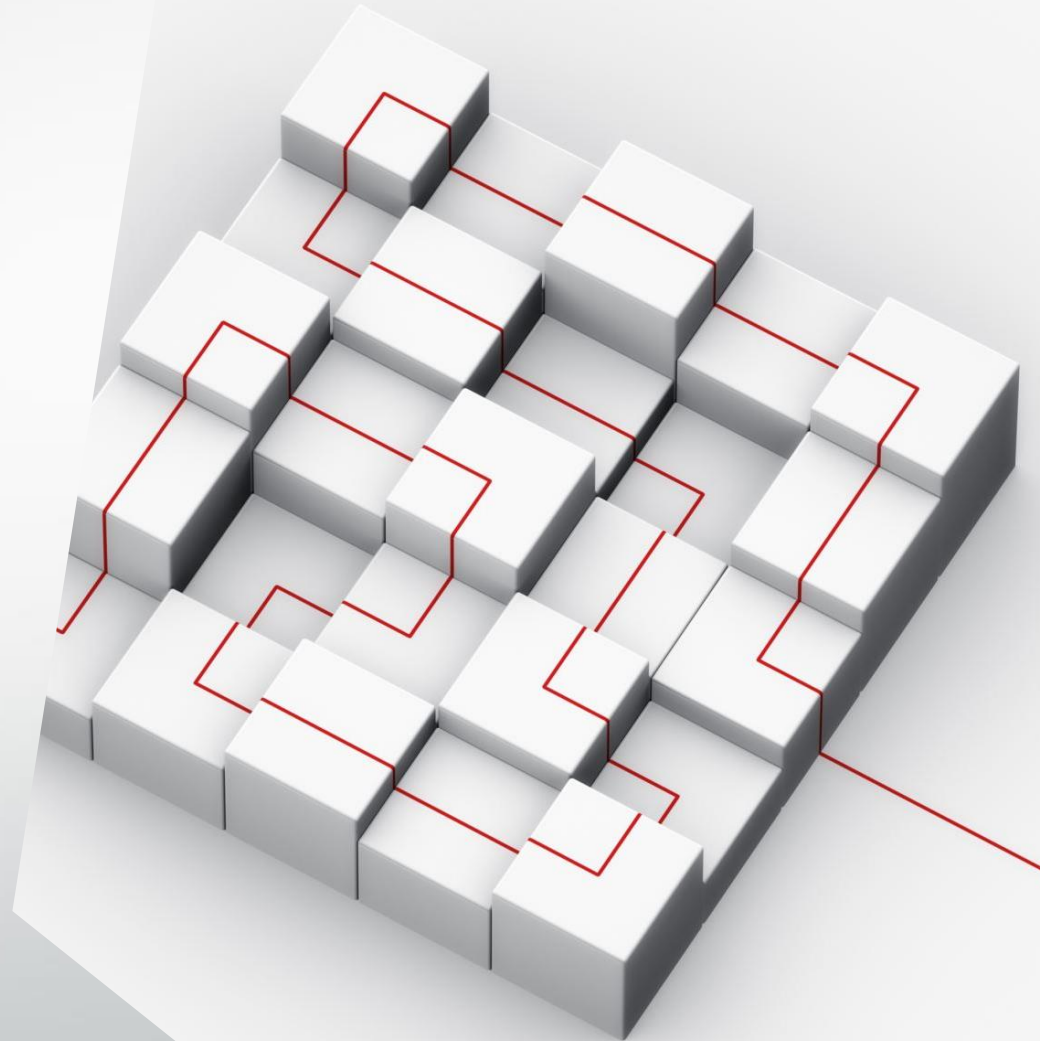
• Shares/PV Authorized	500,000,000
• Less - Shares/PV Outstanding	306,647,953
• PV Available to Issue	118,577,856
• Certificated Shares	57,544,843
• Book Shares	249,103,110
• Free Trading Shares	118,577,856
• Total Shareholders	1,991
• Active Shareholders	1,758

Next Steps at the Lucky Ben Project



Next Steps for Technology

- Submit final patent application
- Finalize proof-of-concept model and design engineering
- Finalize agreement with Washington State University
- Construct Lab Test Cabinet
- Test Lab Unit at Colorado School of mines
- Build Field Unit Prototype
- Field Test Unit
- Finalize Modifications





Message from our CEO



Questions & Comments



Thank you